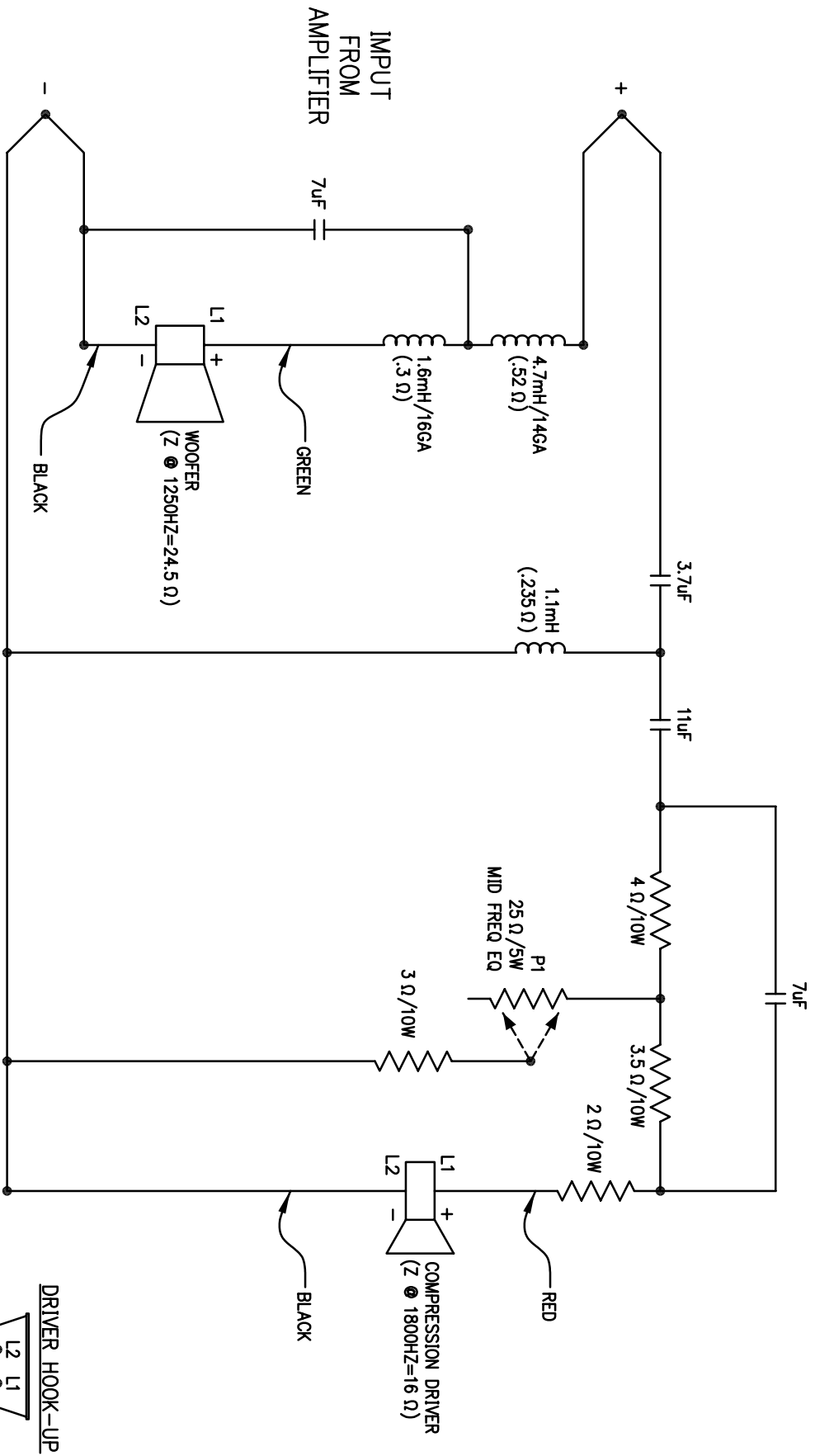


PASSIVE FILTER FOR ALTEC 604B FITTED WITH 604E LF CONE. THIRD ORDER BUTTERWORTH CENTERED AT 1500HZ WITH 20% FREQUENCY SPREAD FOR BOTH HP & LP SECTIONS.



NOTES:

- 1) ALL CAPACITORS - HOWLAND MUSICAP /100V
- 2) ALL INDUCTORS - SOLO COPPER FOIL AIR CORE (CFAC)
- 3) HOOK-UP WIRE - VAMPIRE CCC, 18GA, STRANDED; COLOR AS INDICATED
- 4) BI-WIRE FROM INPUT TERMINALS TO DRIVERS
- 5) ACOUSTIC POLARITY OF COMPRESSION DRIVER REVERSED

