

Figure 1. Doubler and tripler mounting to original baffling.

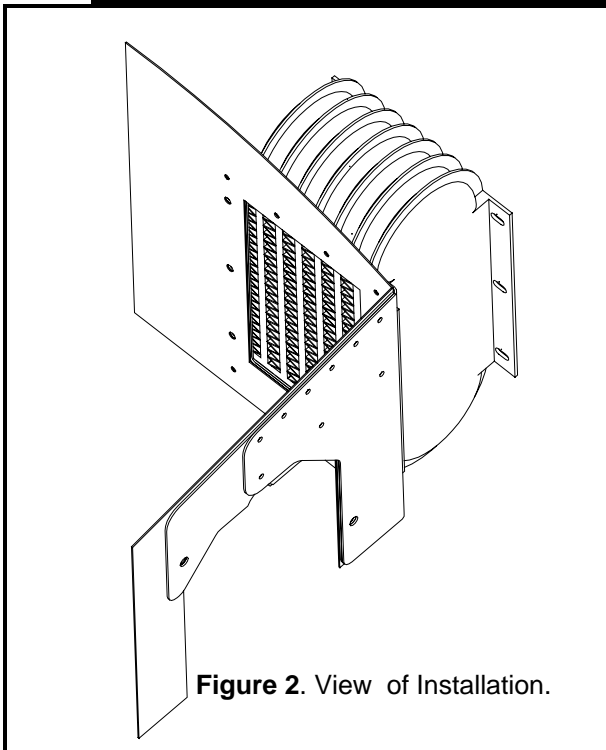


Figure 2. View of Installation.

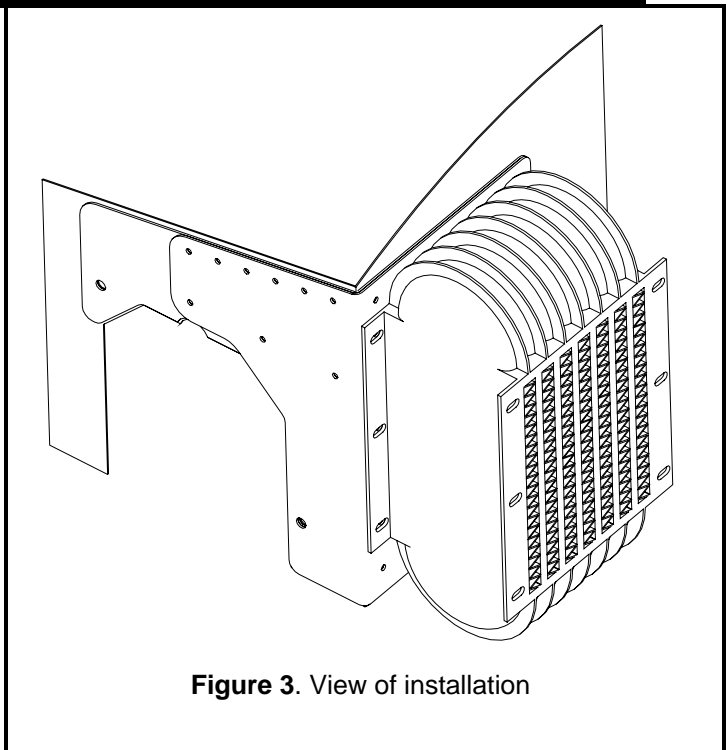


Figure 3. View of installation