

MetPod™ Lite Power Monitor

The MetPod™ Lite is a light-weight version of the metering-class MetPod measurement solution, suitable for sub-transmission and distribution utility applications. Novel voltage and current sensors are seamlessly integrated with a high accuracy meter, long-range wireless transceiver and a self-contained power supply. An optional CT for monitoring neutral currents is available.

Applications include:

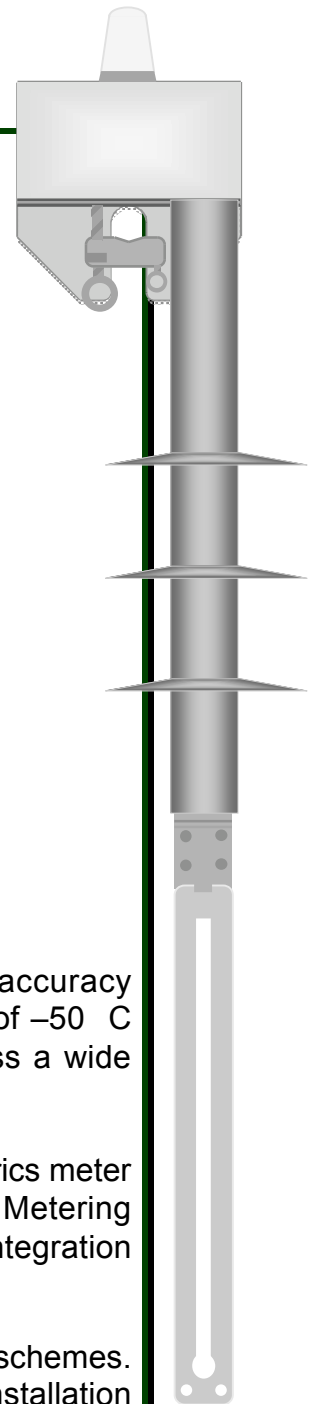
- Power theft detection
- Cost-effective distribution feeder monitoring
- Monitoring at sub-transmission line taps
- Metering within or between utilities
- Metering of distributed generation assets
- Load flow studies

The MetPod Lite measurement system satisfies 0.2% metering accuracy requirements from -20 to $+50$ °C, with extended temperature ranges of -50 °C and $+85$ °C available. The modular design allows flexibility to address a wide range of voltage classes from 4 kV to 44 kV.

The MetPod Lite is available with several meter solutions. The FieldMetrics meter imports data directly into Microsoft Excel™ or a standard text file. Metering solutions from several AMI vendors are also available for seamless integration into AMI systems that have already been deployed.

The MetPod Lite accommodates a variety of unconventional mounting schemes. The low device weight and hook-shaped current sensor allow simple installation on an existing line. A variety of optional accessories are available to enhance connectivity between the MetPod Lite and new or existing smart grid infrastructure.

™ Excel is a trademark of Microsoft Corporation.



FieldMetrics®, Inc.
13352 82nd Avenue
Seminole, Florida 33776 -3126 USA
Lab: 9021 Oakhurst Rd., Suite A

Phone: 727-698-1742
Fax: 727-231-0729
Email: sales@fieldmetricsinc.com
<http://www.fieldmetricsinc.com>

MetPod™ Lite-13.8 Power Monitor

Specifications

Dielectric:

Voltage Class	13.8 kV
AC withstand 1 minute	34 kV rms
AC wet test 1 minute	34 kV rms
BIL full wave, 15 each polarity	110 kV peak
BIL chop wave, 2 each polarity	126 kV peak
Partial discharge, 9.6 kV, 1 min.	<2 pC
Strike distance	20 inches
Creepage distance	38 inches
IEC Pollution Class	II

Measurement:

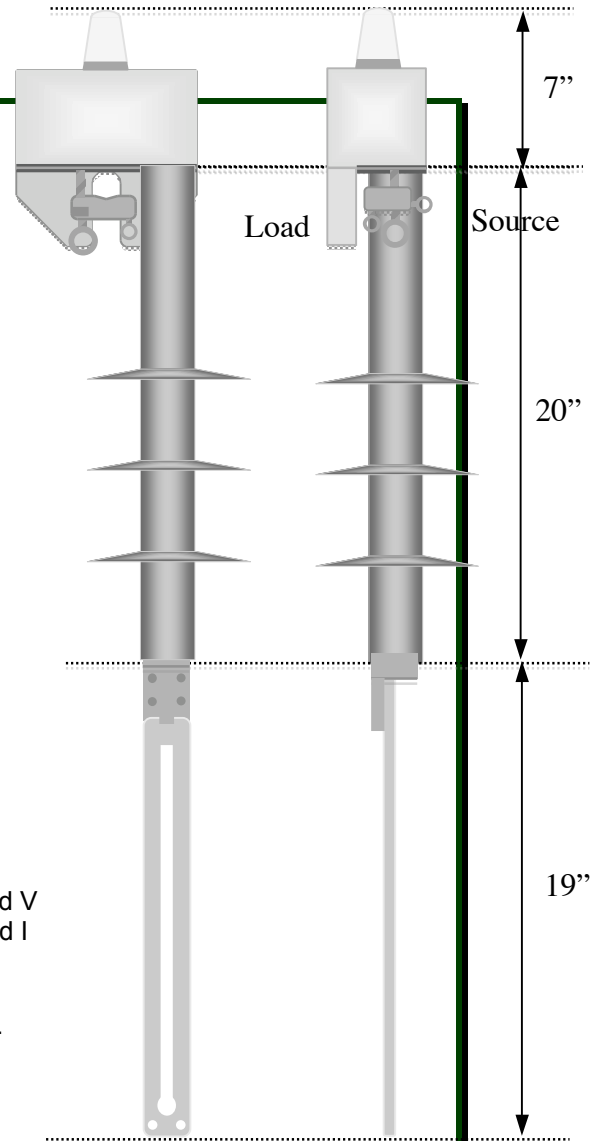
AC nominal voltage	7.9 kV rms
AC nominal current	600 A rms
Accuracy Class	0.2%
Dynamic range- voltage(1)	70% - 190% of rated V
Dynamic range- current	<1% - 200% of rated I
Short time current rating	20 kA crest
Temperature range(2)	-20 to +50 C
(1) extended voltage range to 30% of rated voltage available.	
(2) extended accuracy to -50 C and +85 C available.	

Communications:

Modulation technique	FHSS FSK
Transmit power	up to 1 Watt
Range (3)	up to several miles
Baud rate	adjustable up to 115K Baud
Computer interface	RS-232 or USB
Data format	Microsoft Excel™ or text file
(3) varies with installation specifics	

Other:

Maximum conductor diameter	1.05 inches / 26.7 mm (636 ACSR or equiv.)
Max. Temperature range	-50 to +85 C
Height	34 inches
Weight	12 pounds



FieldMetrics®, Inc.
13352 82nd Avenue
Seminole, Florida 33776 -3126 USA
Lab: 9021 Oakhurst Rd., Suite A

Phone: 727-698-1742
Fax: 727-231-0729
Email: sales@fieldmetricsinc.com
<http://www.fieldmetricsinc.com>