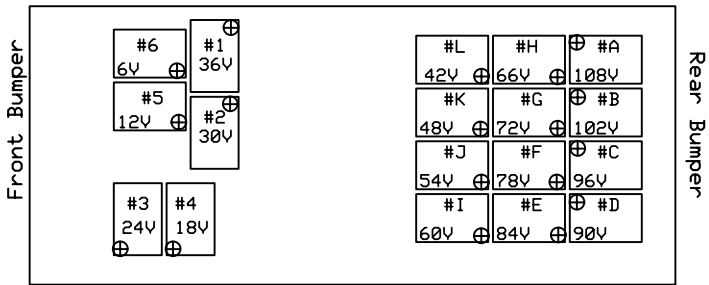
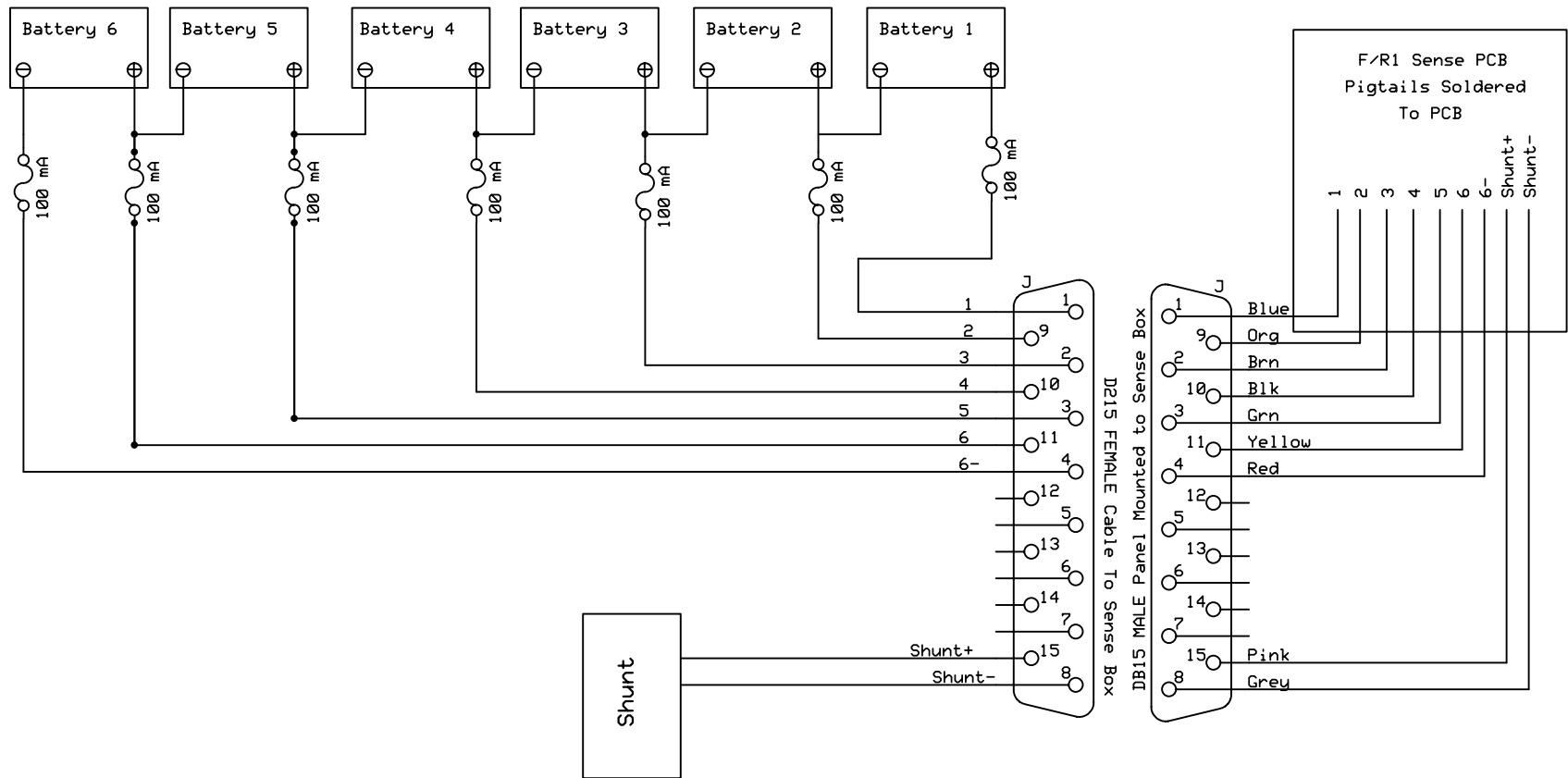


J1: Cable: Batteries to Battery Sense Box
J2: Cable: Battery Sense PCB to Box (Battery Side)



R2 Sense PCB