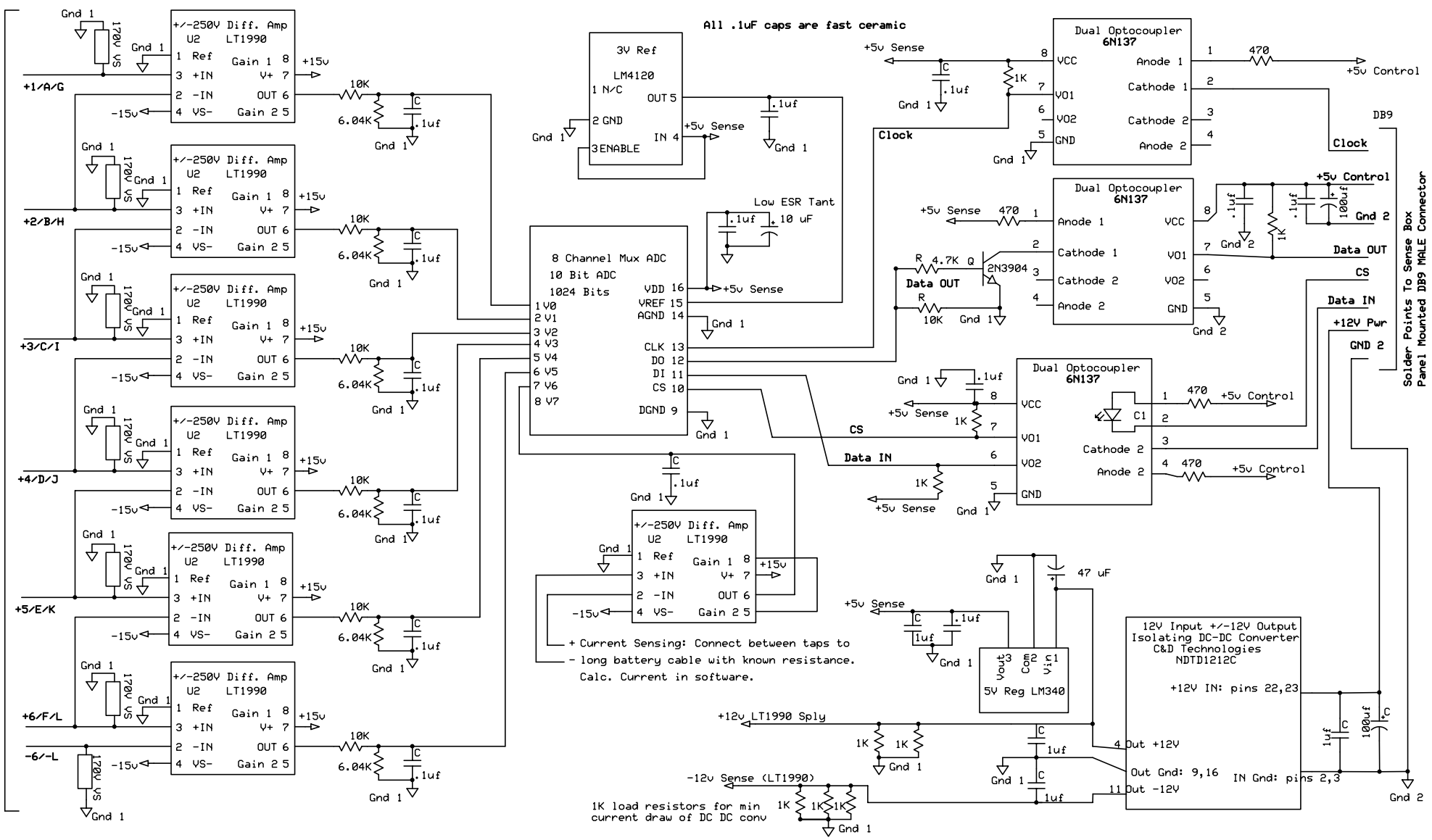


Solder to pigtails of Sense Box Panel Mounted DB15 MALE ** CABLE TO BATTERIES MUST BE FUSED!! **



Solder Points To Sense Box
Panel Mounted DB9 Male Connector