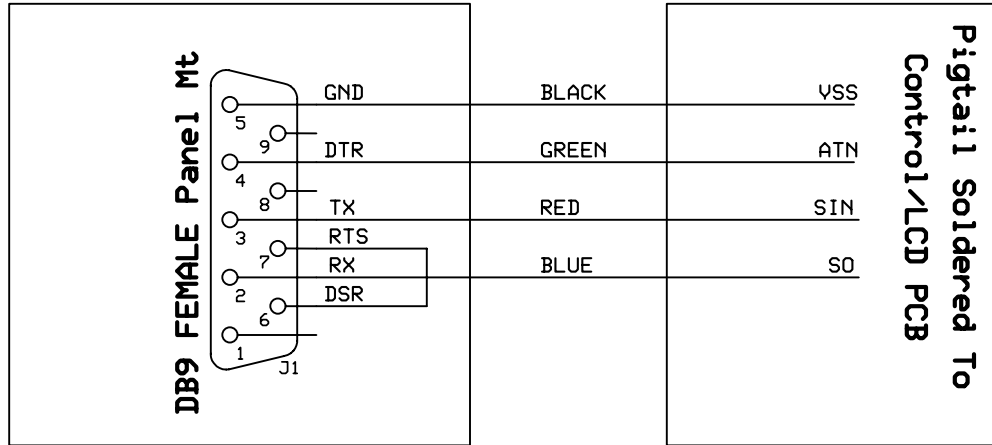


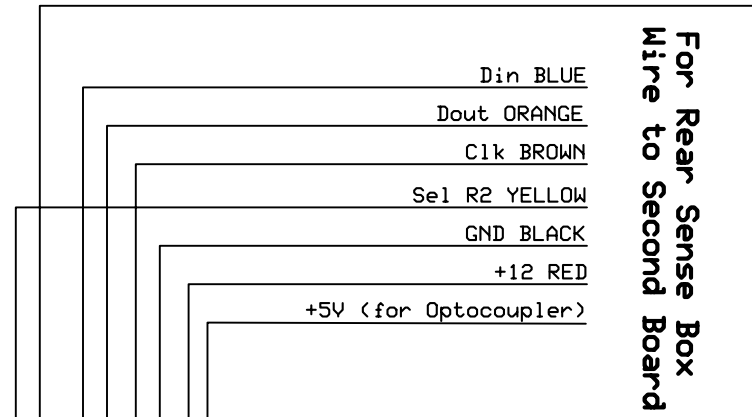
J1. Cable: Control LCD PCB to Input Panel Prog/Data

J2. Cable: Battery sense PCB to Box (Main Interconnect Side)

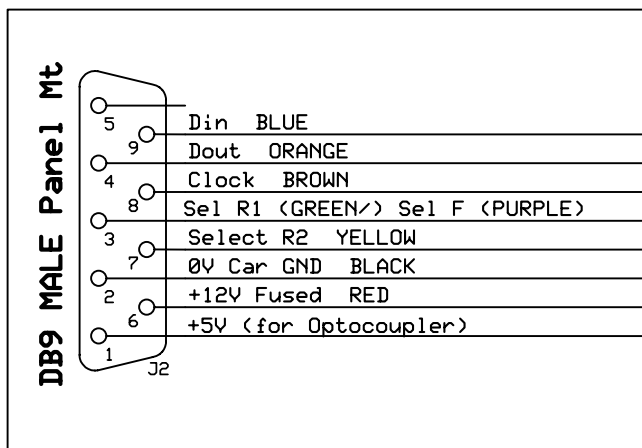
Input Panel



Sense Box PCB R2



Sense Box End Panel



Sense Box PCB F/R1

