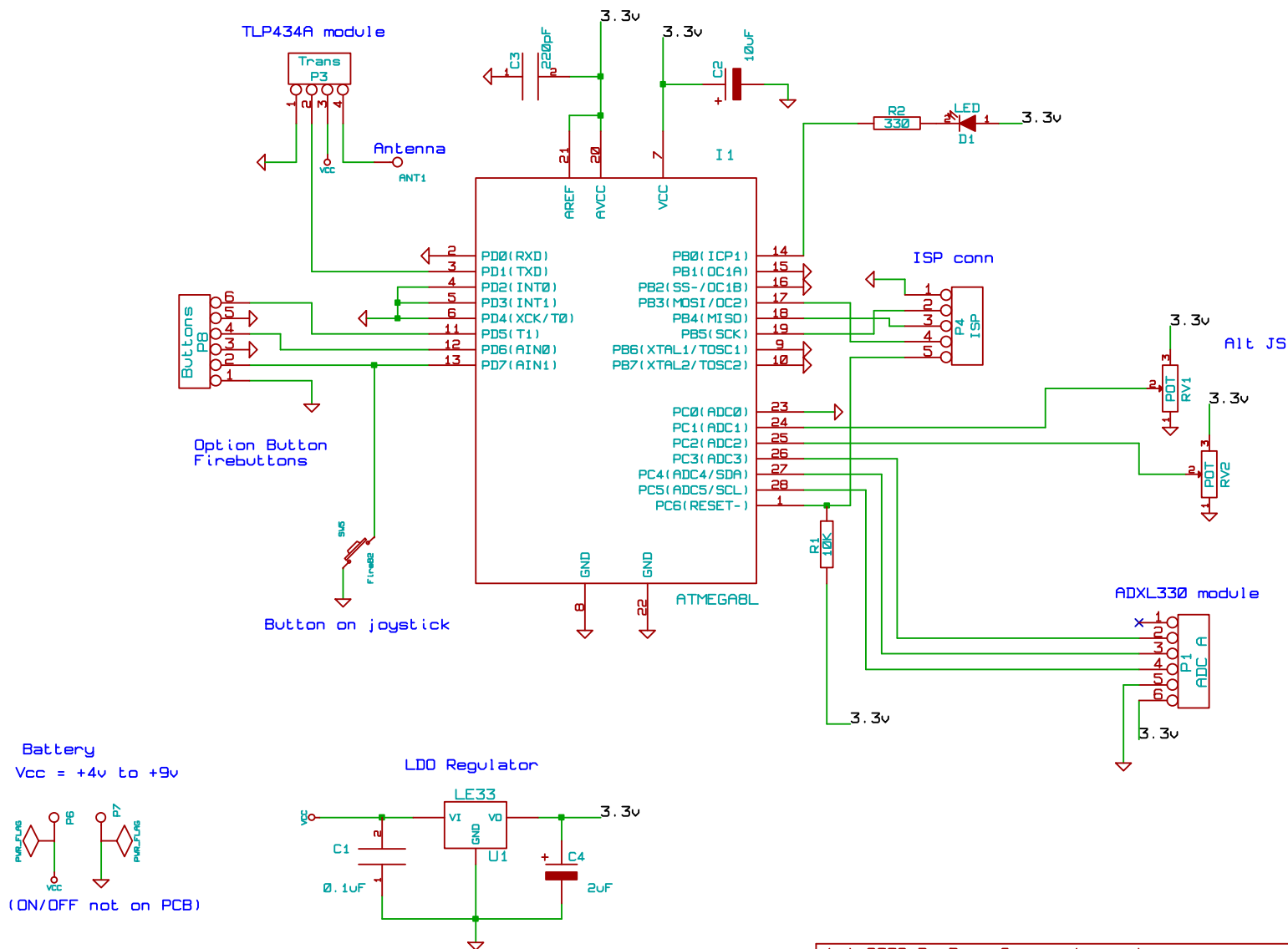


DTV (C64) Wireless 3D Controller--Transmitter



(c) 2006 By Doug Garmon (gmoon)
Released under the Gnu Public Licence

Title: DTV (c64) wireless controller--transmitter		
Size: User	Date: 15 nov 2006	Rev: alpha
KiCad E.D.A.	EESchema (2006-06-26)	Sheet: 1/1