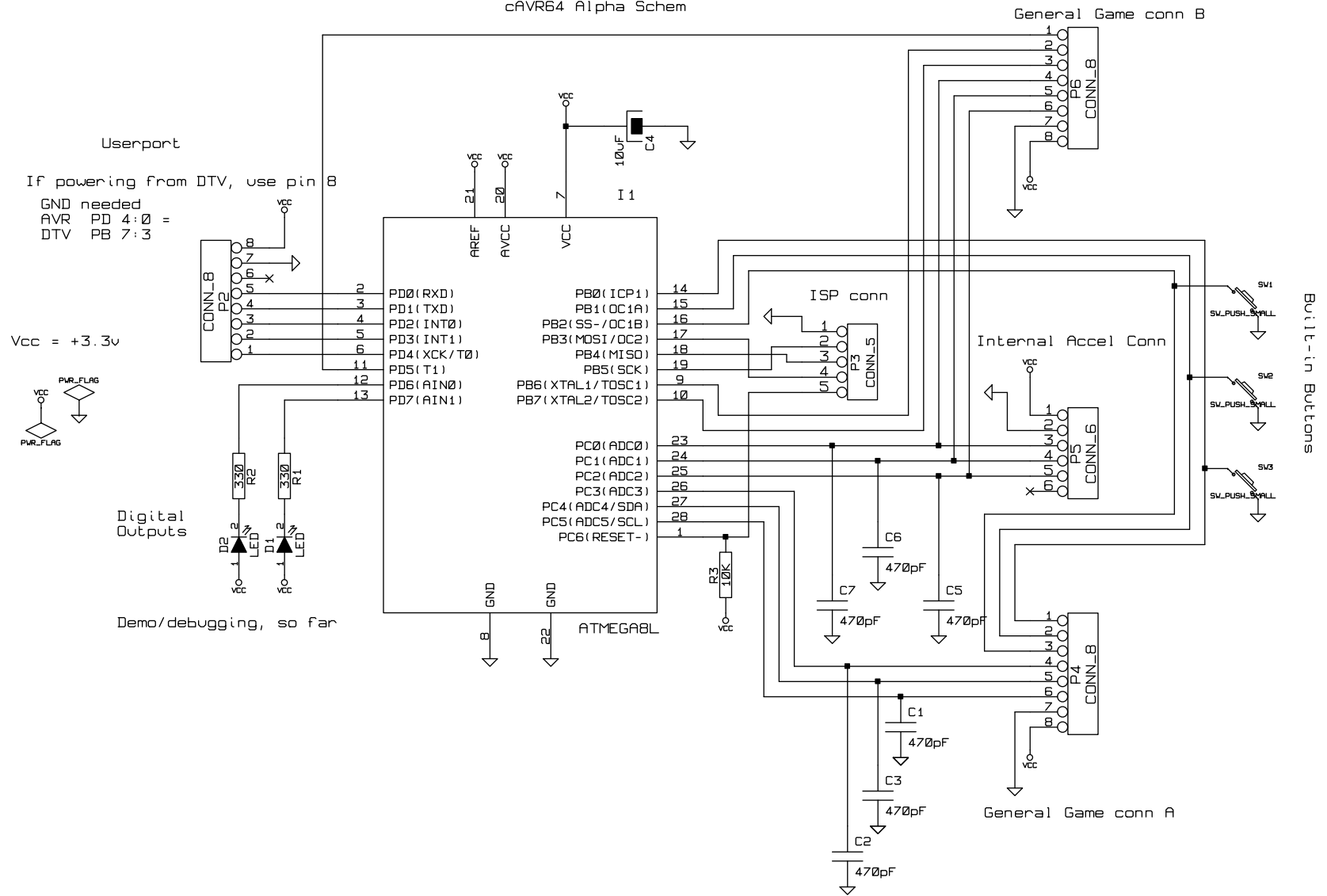
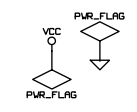


cAVR64 Alpha Schem



Userport
 If powering from DTV, use pin 8
 GND needed
 AVR PD 4:0 =
 DTV PB 7:3

Vcc = +3.3v



Digital Outputs
 Demo/debugging, so far

(c) 2006 By Doug Garmon
 Released under the Gnu Public Licence

Title: cAVR64		Rev: alpha	
Size: A4	Date: 23 jun 2006	Sheet: 1/1	
K:\Cad E.D.A. EESchema (2006-03-28)			