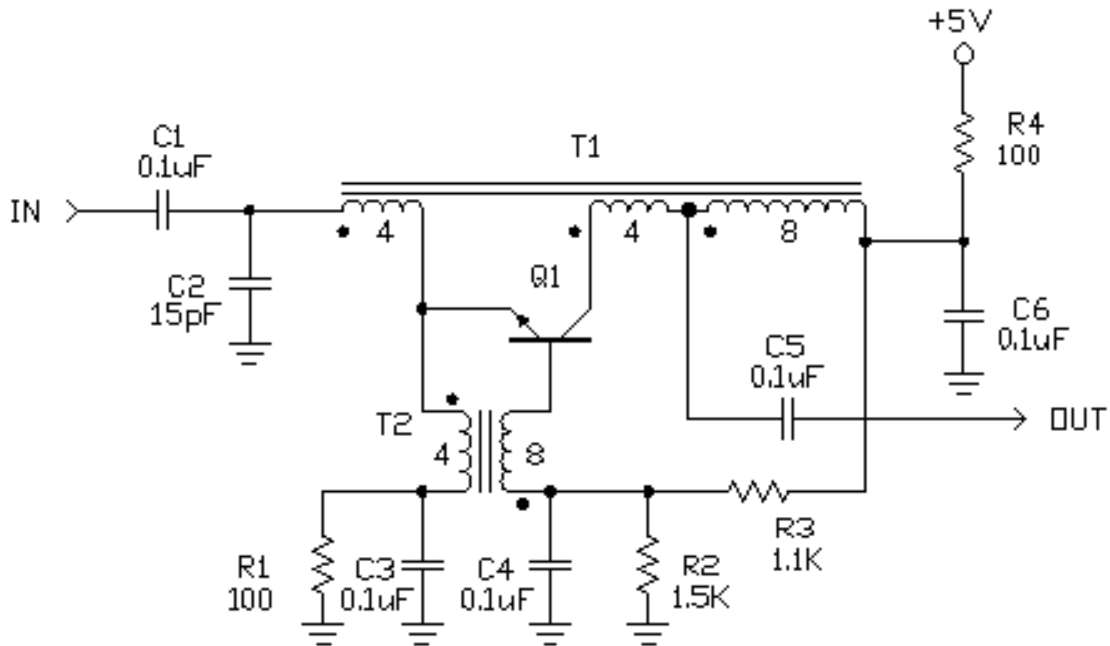


Augmented Lossless Feedback Amplifier



PARTS LIST

CONSTRUCTION NOTES

- | | | |
|-------|---|--|
| Q1 | - NE68133 or NE68130. Other transistors may be used if noise figure is not a primary concern. | 1. Keep all leads short. This is a high-performance circuit and stray inductances can cause instability. |
| T_1 | - 4:4:8 turns #34 magnet wire wound on Fair-Rite 2843-002-402 core. Be mindful of the polarities. | 2. Circuit is intended for operation from 2-100MHz. |
| T_2 | - 4:8 turns #34 magnet wire wound on Fair-Rite 2843-002-402 core. Be mindful of the polarities | This invention is protected by US Patents 6,172,563 and 6,271,721. Licensing for commercial purposes is available. |