



INSTALLATION INSTRUCTIONS

Description: **Touring Saddlebag Kit** (Boulevard 990A0-77019-TRG)

embossed) Part Number:

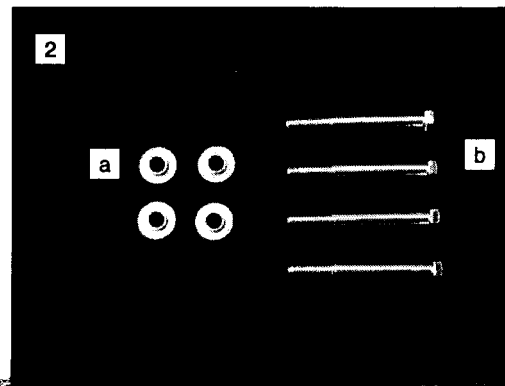
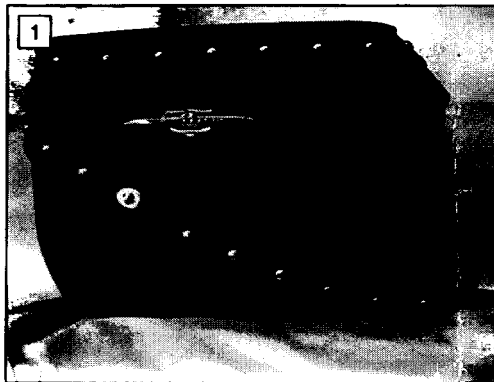
Applications: **Boulevard C50T** Installation Time: **1 HR**

Weight: **12 LB.**

NOTE: It is necessary to obtain Suzuki #990A0-75009-TRG Saddlebag Support prior to assembly.

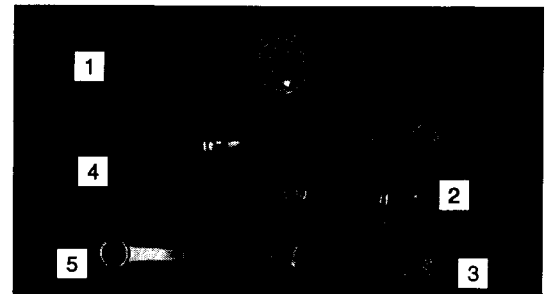
Contents

Ref.	Part Number	Description	QTY
1.	990A0-77019-TRG	Touring Saddlebag Kit	1
2.	990A0-77009-001	Hardware Kit	1
a.	990A0-77019-001	Top Hat Washer	4



Tools Required

Ref.	Tools Description
1.	Torque wrench
2.	Ratchet with 2 inch extension
3.	13 mm Socket
4.	6MM Allen Head Wrench
5.	Open End Wrench



Important

⚠ WARNING

Please read this manual and follow its instructions carefully. To emphasize special information, the symbol **⚠** and the words **WARNING** and **NOTE** have special meanings. Pay special attention to the messages highlighted by these signal words:

NOTE: Indicates special information to make maintenance easier or instructions clear.

⚠ WARNING

Indicates potential hazard that could result in death or injury.



Preparation Prior to Installation

Please read and understand these instructions completely before installation to avoid any possible injury to yourself or damage to the motorcycle and/or accessory.

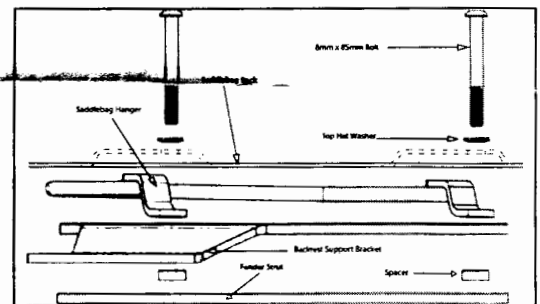
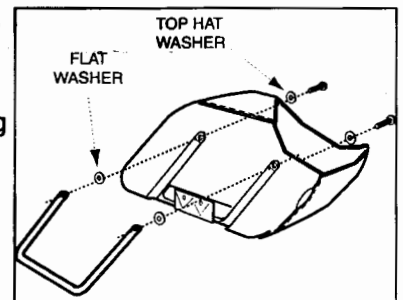
NOTE to DEALER: These instructions contain important information for future reference and must be given to the customer.

⚠ WARNING

To avoid personal injury, install on cold engine.

Installation

1. Replace the factory supplied allen head bolts for the fender rails with the 8MM bolts contained in the Saddlebag Kit. Place top hat washer under the head of the bolt. Slide bolt through hole in saddlebag from inside of saddlebag, making sure the top hat washer fits into the back. Place frame support on the back of the bag (see figure 1). Make sure the flat bracket on the saddlebag engages the Saddlebag Support Bracket. Install bolts through backrest mounting side plate.
2. Start bolts but do not tighten completely. Repeat operation for right/left side.
3. Install backrest to mounting brackets using supplied 10mm x 1.5mm x 20mm bolts.
4. Install spacers between backrest mounting plate and fender rail.
5. Tighten backrest bolts at bottom to 29 N.M (21 LB/FT).
6. Tighten top backrest bolts to 6 N.M (4.5 LB/FT).
7. Securely tighten saddlebag mounting 8mm bolts to 23 N.M (16.5 LB/FT).



⚠ WARNING

Ensure that saddlebags do not interfere with wheels, brakes, suspension or other moving parts.

Maintenance/ Care

1. Saddlebags should be routinely cleaned and rubbed with a high quality leather lotion or dressing to keep the leather soft and water-resistant.

⚠ WARNING

The maximum weight load limit for each saddlebag is 5 lbs. Distribute the load evenly between each saddlebag.