



Quick Detach Saddlebag Brackets

KEY CODE NUMBER
(Save this number for future key identification)

No 10030

Applications

Suzuki Volusia - Model VOL-R1BR
Used with Backrest

Before you begin, read these instructions and check to be sure all parts are accounted for.

<u>Qty.</u>	<u>Part Description</u>
2	Easy Brackets (ID number 10, stamped on brackets)
4	Docking Post
4	8mm SS Socket Head Bolt
4	8mm Nylon Locking Nut
8	3/8 x 1 Black Button Head Bolt
8	3/8 Nylon Locking Nut
8	3/8 Fender Washer
2	Barrel Key

Installation Instructions

1. Remove the two fender bolts from the RH side of the fender. (See fig 1) **Note:** Remove and replace (1) bolt at a time to avoid movement of the fender.
2. Using the 8mm SS socket head bolts and the 8mm nylon locking nuts (smaller docking post to the front), attach the docking posts to each of the vacant fender bolt holes outside the backrest. (See fig 2 for bolt to docking post position) Torque to 12 ft. lbs.
3. Repeat steps 1. and 2. on the LH side of the fender.
4. Install the EASY BRACKETS on the docking posts. (See fig 3) **Note:** Use the barrel key provided to open the cam lock prior to installation on the docking posts. The key can not be removed until the cam lock is fully engaged under the docking post.
5. Hold the RH saddlebag against the EASY BRACKET. Position the saddlebag as desired noting the clearances from the seat, turn signals and any lower obstructions such as chain guards, axle nuts, and etc. Mark the outer edge of the bracket on the saddlebag. Remove the EASY BRACKET from the motorcycle.
6. Place the bracket on the saddlebag within the outline and drill the 4 holes for mounting. (See fig 4) Attach the bracket to the saddlebag using the (4) 3/8 x 1 black button head bolts, (4) 3/8 fender washers and (4) 3/8 Nylon locking nuts. Install the completed RH saddlebag with EASY BRACKETS on the motorcycle. **Note: The cam lock must be fully engaged and the barrel key removed to ensure the EASY BRACKETS are properly installed and ready for use.**
7. Repeat steps 4., 5. and 6. on the LH side of the fender.

Notice to Consumer

Do Not exceed 15 lbs. of total weight on the EASY BRACKET saddlebag removal system.

Neither the manufacturer, distributor or retailer of the EASY BRACKETS make any express warranties of any kind with respect to the EASY BRACKETS. Any implied warranty does not cover defects caused by modification or alterations of the EASY BRACKETS or caused by physical abuse to or misuse of the EASY BRACKETS or its use and/or operation in a manner contrary to the accompanying instructions. Failure to install and/or use the EASY BRACKETS in the manner described by the accompanying instructions shall render all warranties, expressed and/or implied, void and release the manufacturer, distributor and retailer from any and all liability arising from the use of the EASY BRACKETS.

For product support, damaged or missing parts, please contact Easy Brackets at 866-521-3024
Do not return product without prior authorization.

SEE REVERSE SIDE FOR ILLUSTRATIONS

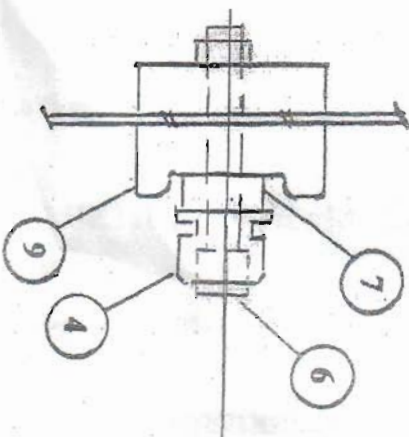


fig 2

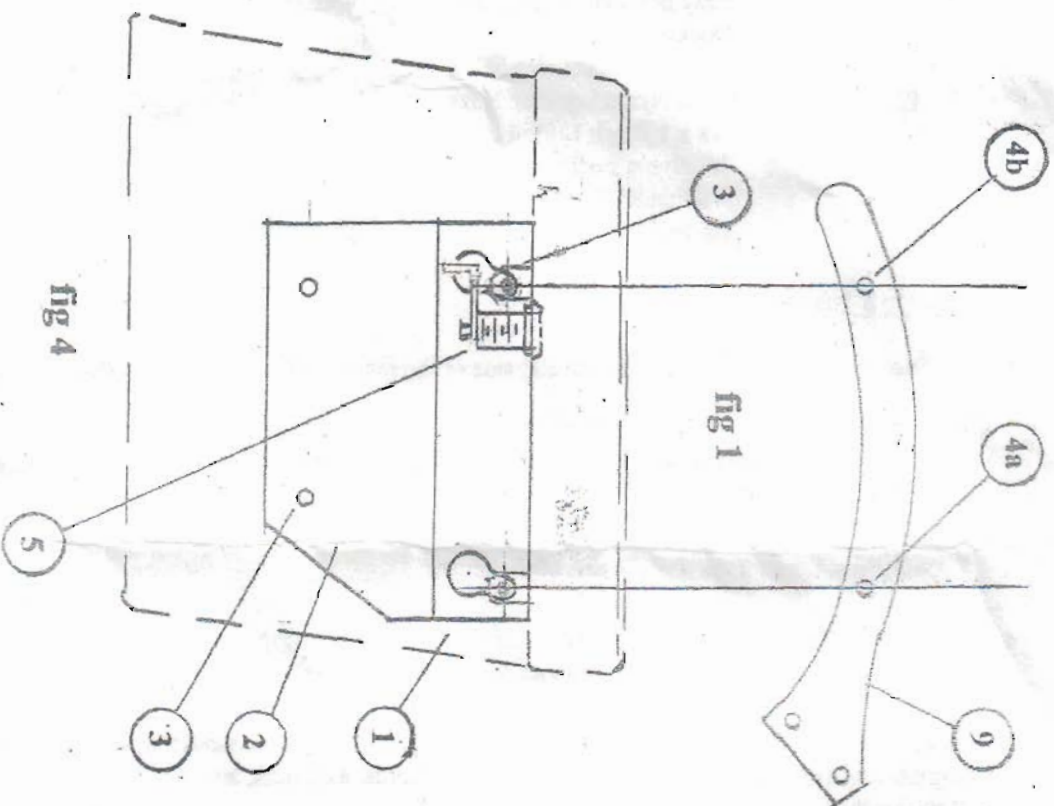


fig 4

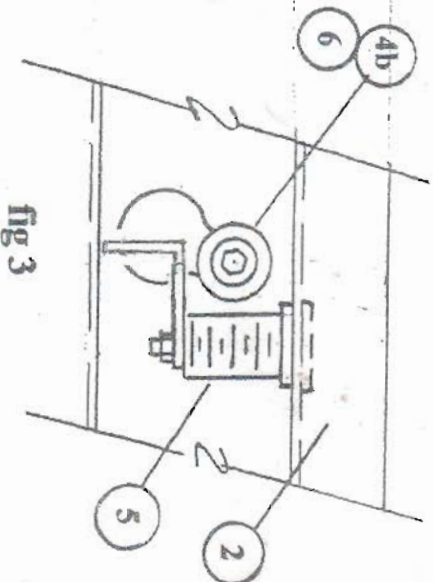


fig 3

- 1 Saddlebag (by others)
- 2 EASY BRACKET
- 3 3/8" holes (total of 4) Use to mount EASY BRACKET to saddlebag. Locate large washer under nylock nut inside saddlebag.
- 4a Forwardmost docking post
- 4b Rearmost docking post
- 5 Cam lock. Cam lock must be fully engaged and barrel key removed to ensure brackets are properly installed and ready for use.
- 6 Docking post bolt. (sizes vary)
- 7 Spacer (as required)
- 8 Nylock nut
- 9 Motorcycle fender rail
- 10 Fender

MODEL -

VOL-RIBR Similar to VOL-R1
 Docking posts mount outside backrest

M 10 P 2 B