



INSTALLATION INSTRUCTIONS

Description: **Saddlebag Supports**

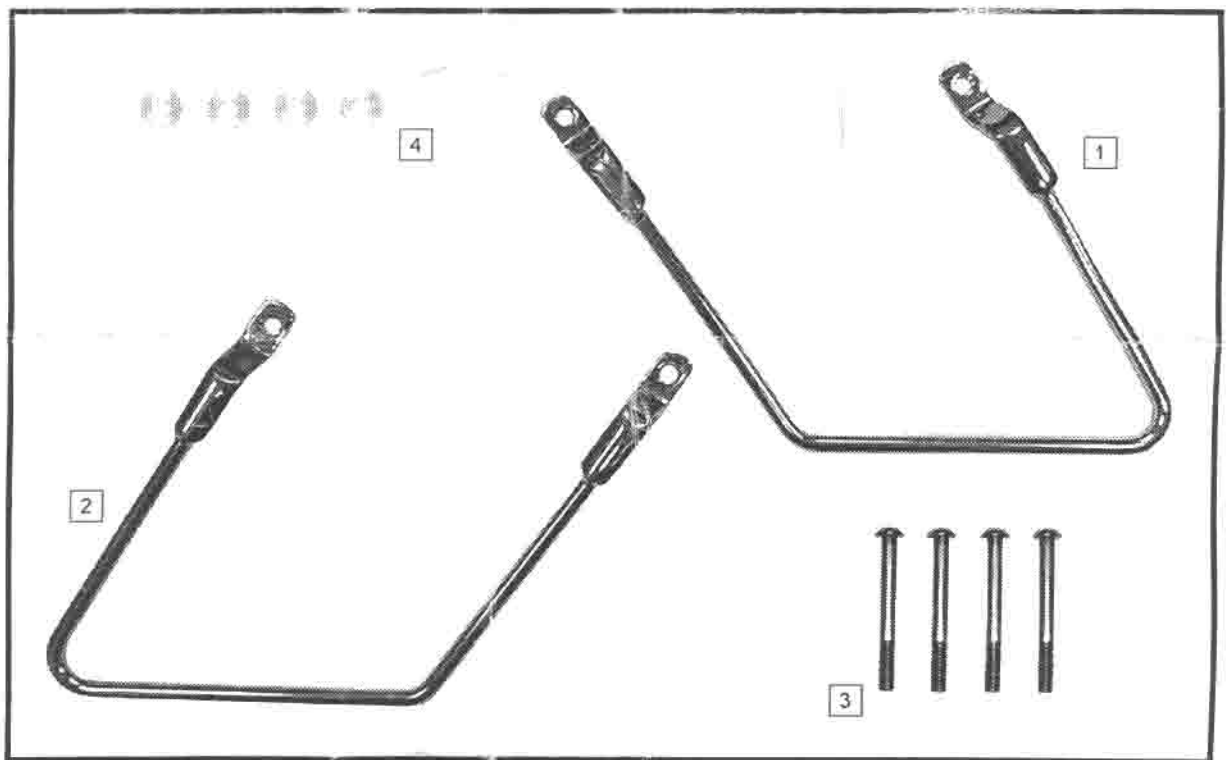
Part Number: **990A0-75009**

Applications: **VL800 Intruder Volusia**

Installation Time: **.5 HRS**

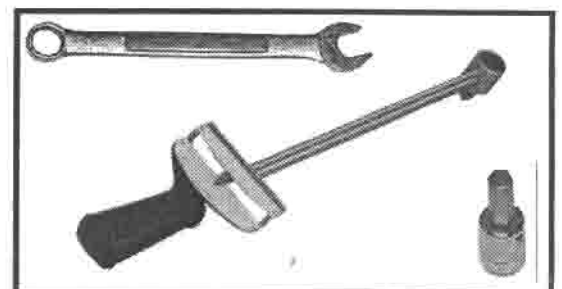
Contents

Ref.	Part Number	Description	QTY
1.		Saddlebag Support - Left	1
2.		Saddlebag Support - Right	1
3.		M8-1.25x75mm Button Head Bolt	4
4.		Mounting Spacer	4
5.	990A0-75009-001	Bolt/Spacer Replacement Kit	



Tools Required

Ref.	Tools Description
1.	Torque Wrench
2.	6mm Allen Socket
3.	12mm Wrench



Important

⚠ WARNING

Please read this manual and follow its instructions carefully. To emphasize special information, the symbol ⚠ and the words **WARNING** and **NOTE** have special meanings. Pay special attention to the messages highlighted by these signal words:

NOTE: Indicates special information to make maintenance easier or instructions clear.

⚠ WARNING

Indicates potential hazard that could result in death or injury.

Preparation Prior to Installation

Please read and understand these instructions completely before installation to avoid any possible injury to yourself or damage to the motorcycle and/or accessory.

NOTE to DEALER: These instructions contain important information for future reference and must be given to the customer.

Installation

1. Remove the left side fender strut mounting bolts. See Figure #1
2. Place one provided spacer under each left side saddlebag support bracket. Feed one supplied M8-1.25x75mm button head bolt through each bracket and spacer. Mount the saddlebag support to the fender strut. Torque the mounting bolts to 23 N.m(16.5 lb-ft). See Figure #2

NOTE: If billet sideplates are to be used, place the saddlebag supports on the outside of the billet sideplate mounting holes. Using the supplied M8-1.25x75mm button head bolts and 8mm flat washers, secure the billet sideplate and saddlebag support to the fender strut. Torque the bolts to 23 N.m(16.5 lb-ft).

3. Repeat steps #1 & 2 for the right side.

NOTE: Periodically check the tightness of the mounting hardware, and tighten if necessary.

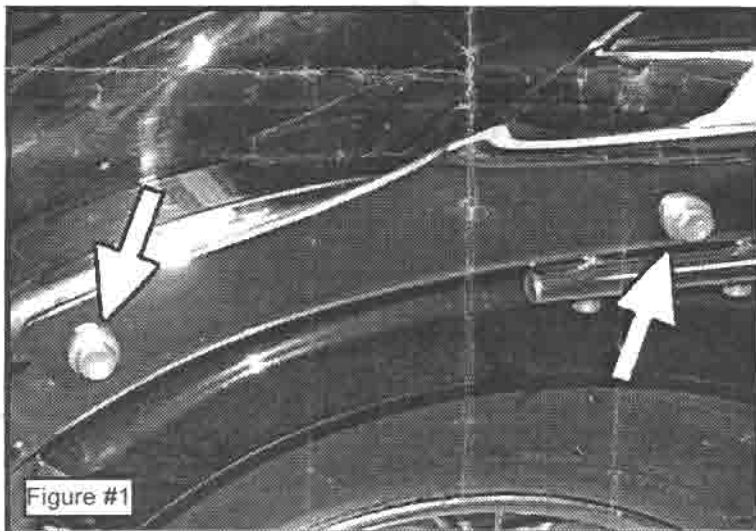


Figure #1

