



US00D459145S

(12) **United States Design Patent**
Short

(10) **Patent No.:** **US D459,145 S**

(45) **Date of Patent:** **** Jun. 25, 2002**

(54) **MIXER BASE**

(75) Inventor: **Ellis G. Short**, Sydney, OH (US)

(73) Assignee: **Premark FEG L.L.C.**, Wilmington, DE (US)

(**) Term: **14 Years**

(21) Appl. No.: **29/145,442**

(22) Filed: **Jul. 23, 2001**

(51) **LOC (7) Cl.** **31-00**

(52) **U.S. Cl.** **D7/379**

(58) **Field of Search** D7/376-386; 366/92-98,
366/185, 194, 197, 206, 241, 244

(56) **References Cited**

U.S. PATENT DOCUMENTS

D111,616 S	*	10/1938	Rosengren	D7/379
D163,423 S	*	5/1951	Schimanski	D7/379
D180,952 S	*	9/1957	Kaempf	D7/379
D362,994 S	*	10/1995	Ratermann et al.	D7/376

OTHER PUBLICATIONS

U.S. Trademark Reg. No. 2,206,296, Premark filed Dec. 1998.

U.S. Trademark Reg. No. 2,194,508, Premark filed Oct. 1998.

U.S. Trademark Reg. No. 1,553,469, Hobart filed Aug. 2, 1989.

U.S. patent application Ser. No. 09/630,402, Yan et al. Filed Aug. 2000.

U.S. patent application Ser. No. 09/561,828, Brunswick et al. Filed Apr. 28, 2000.

Hobart Food Equipment N-50 Mixer; Jun. 2000; 1 Page.
Hobart Food Equipment A-120 Mixer; Jun. 2000; 1 Page.
Hobart Food Equipment A-200 Mixer; Jun. 2000; 1 Page.
The Edge publication, vol. Six, Spring 1994; 16 Pages.

* cited by examiner

Primary Examiner—Caron D. Veynar

(74) *Attorney, Agent, or Firm*—Thompson Hine LLP

(57) **CLAIM**

The ornamental design for a mixer base, as shown and described.

DESCRIPTION

FIG. 1 is a perspective view of a mixer base showing my new design;

FIG. 2 is a front elevation view thereof;

FIG. 3 is a left side elevation view thereof;

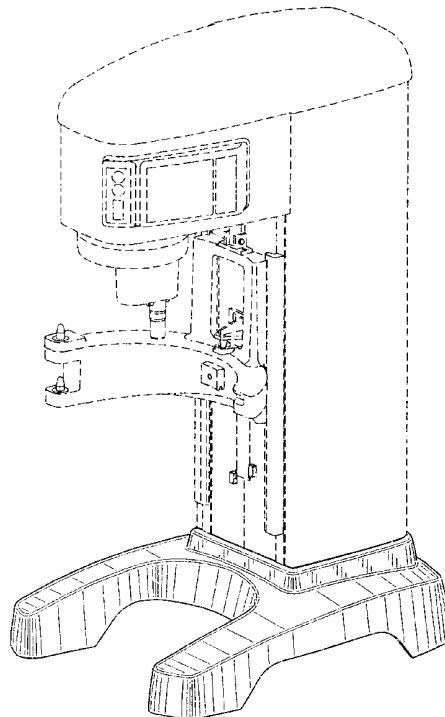
FIG. 4 is a rear elevation view thereof;

FIG. 5 is a right side elevation view thereof; and,

FIG. 6 is a top view thereof.

The broken lines shown in FIGS. 1-6 are for illustrative purposes only and form no part of the claimed design.

1 Claim, 6 Drawing Sheets



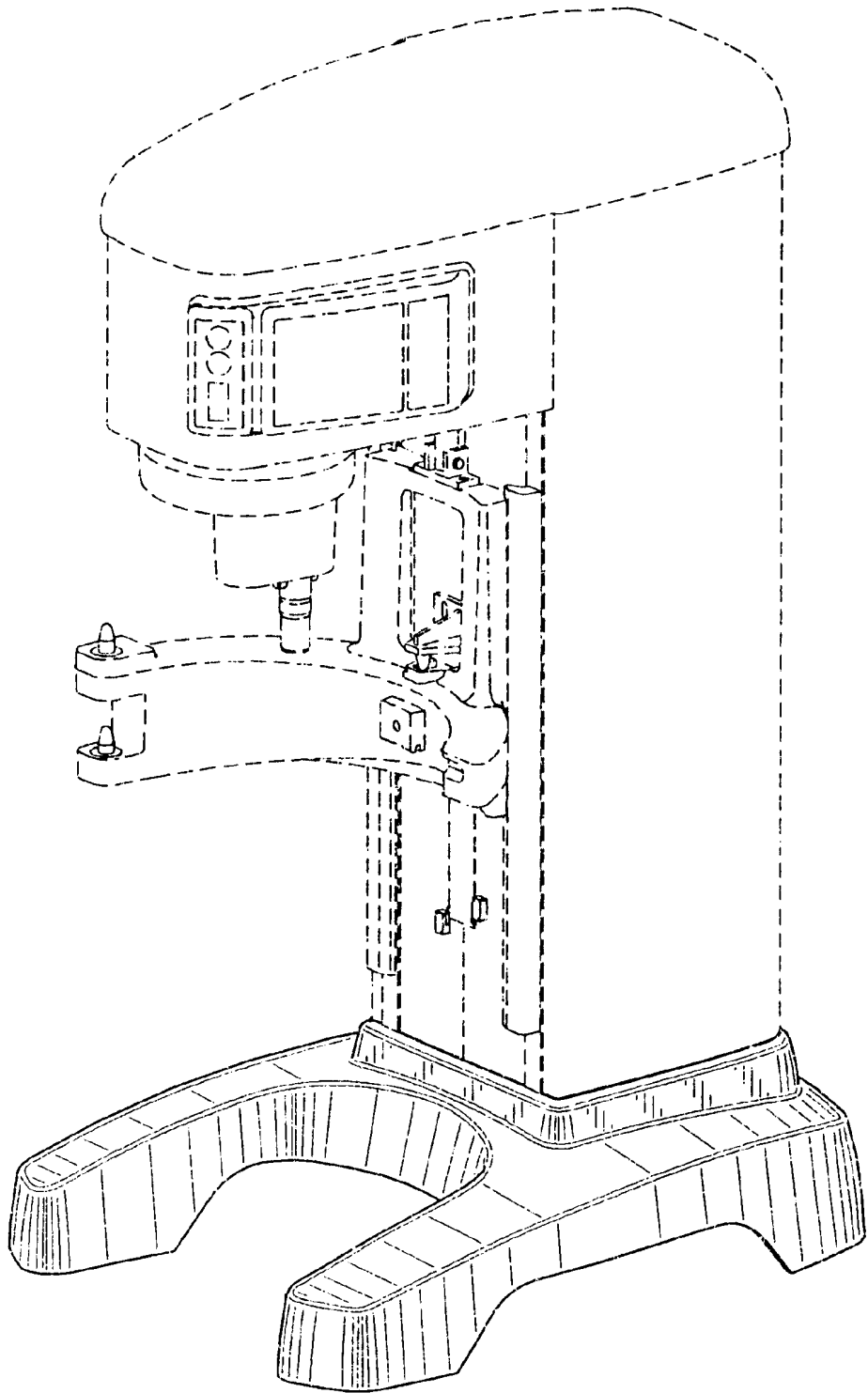


FIG. 1

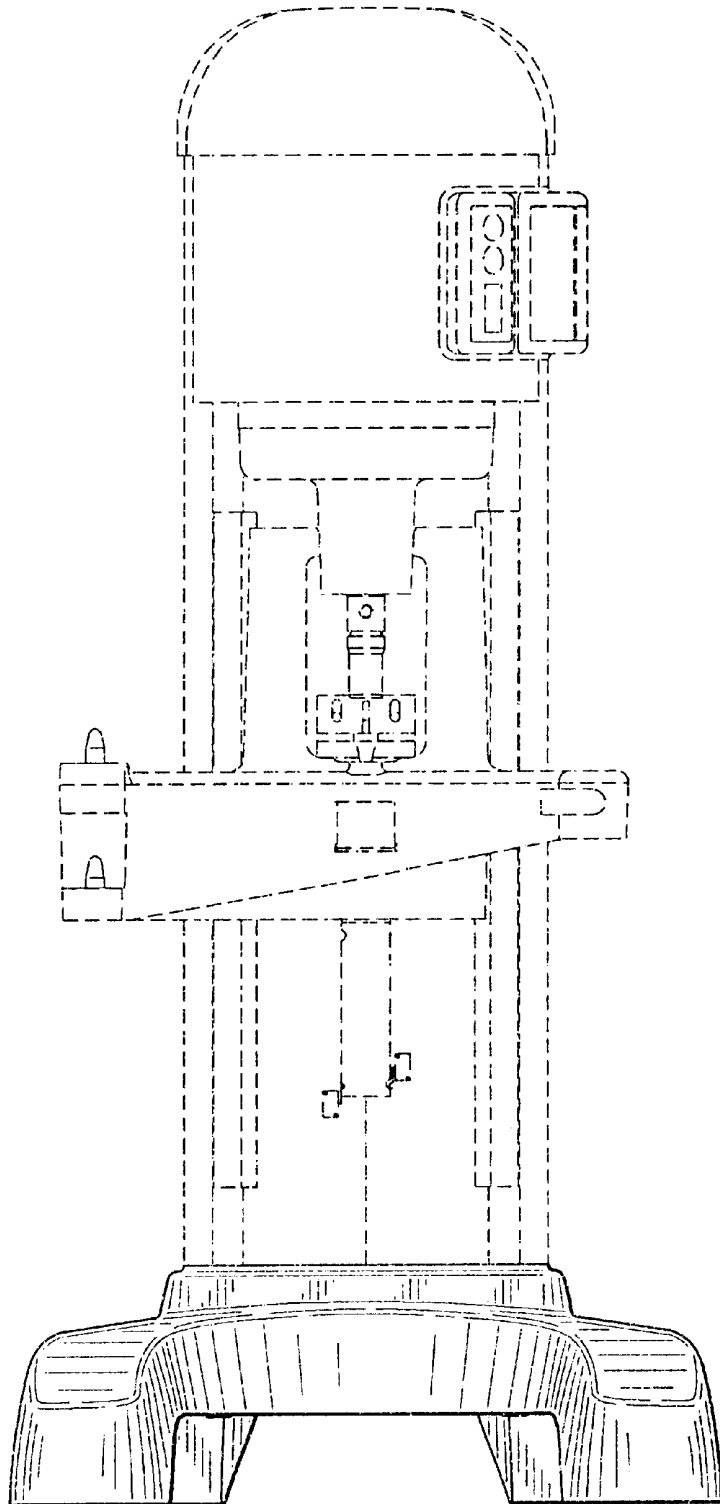


FIG. 2

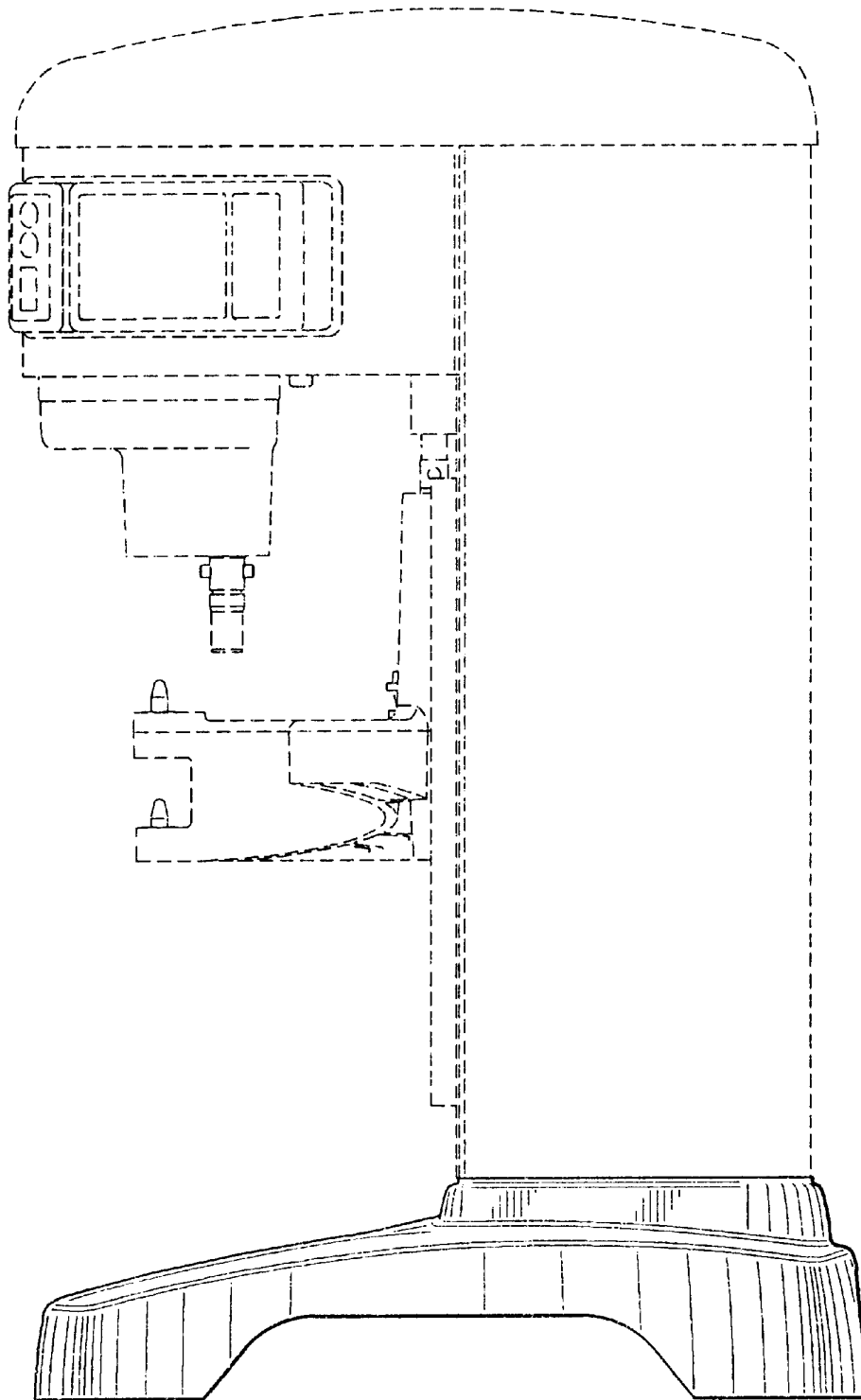


FIG. 3

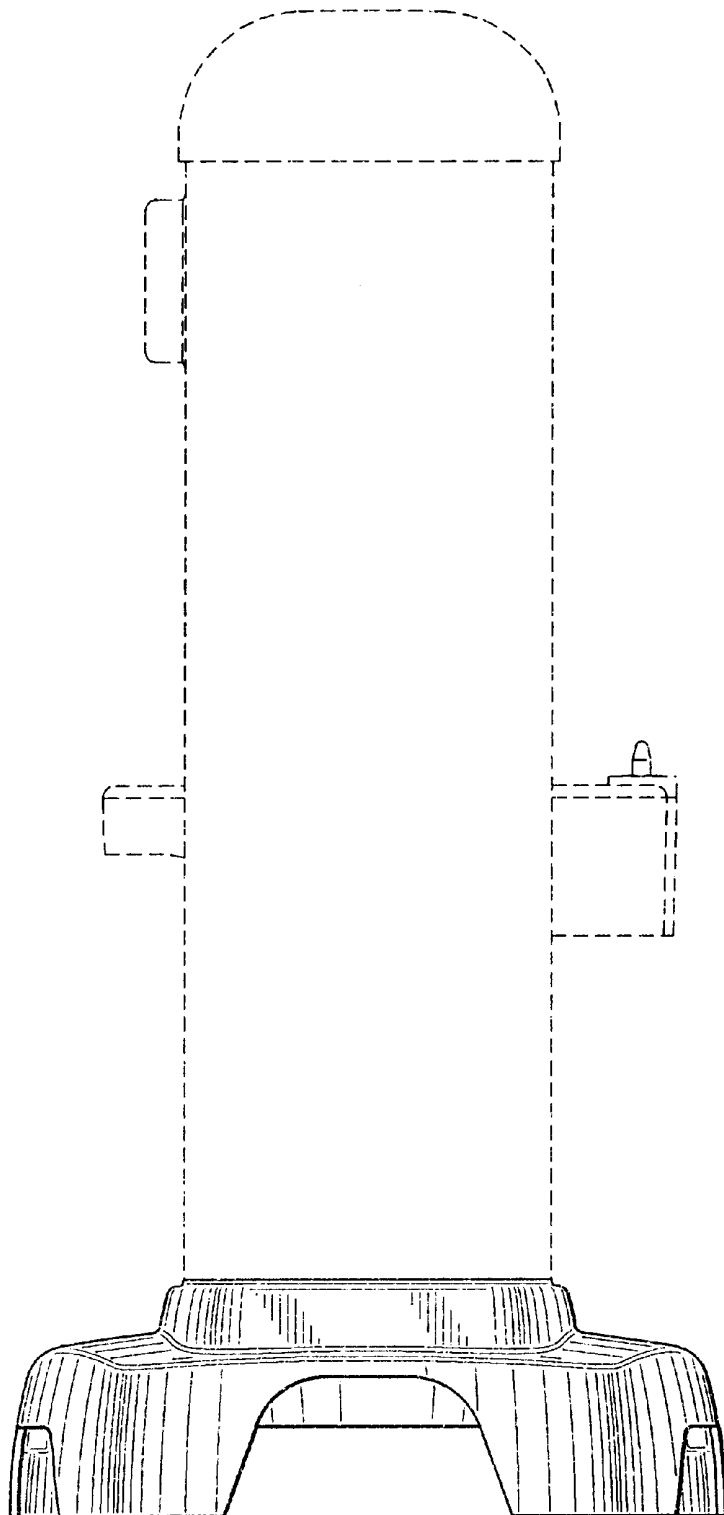


FIG. 4

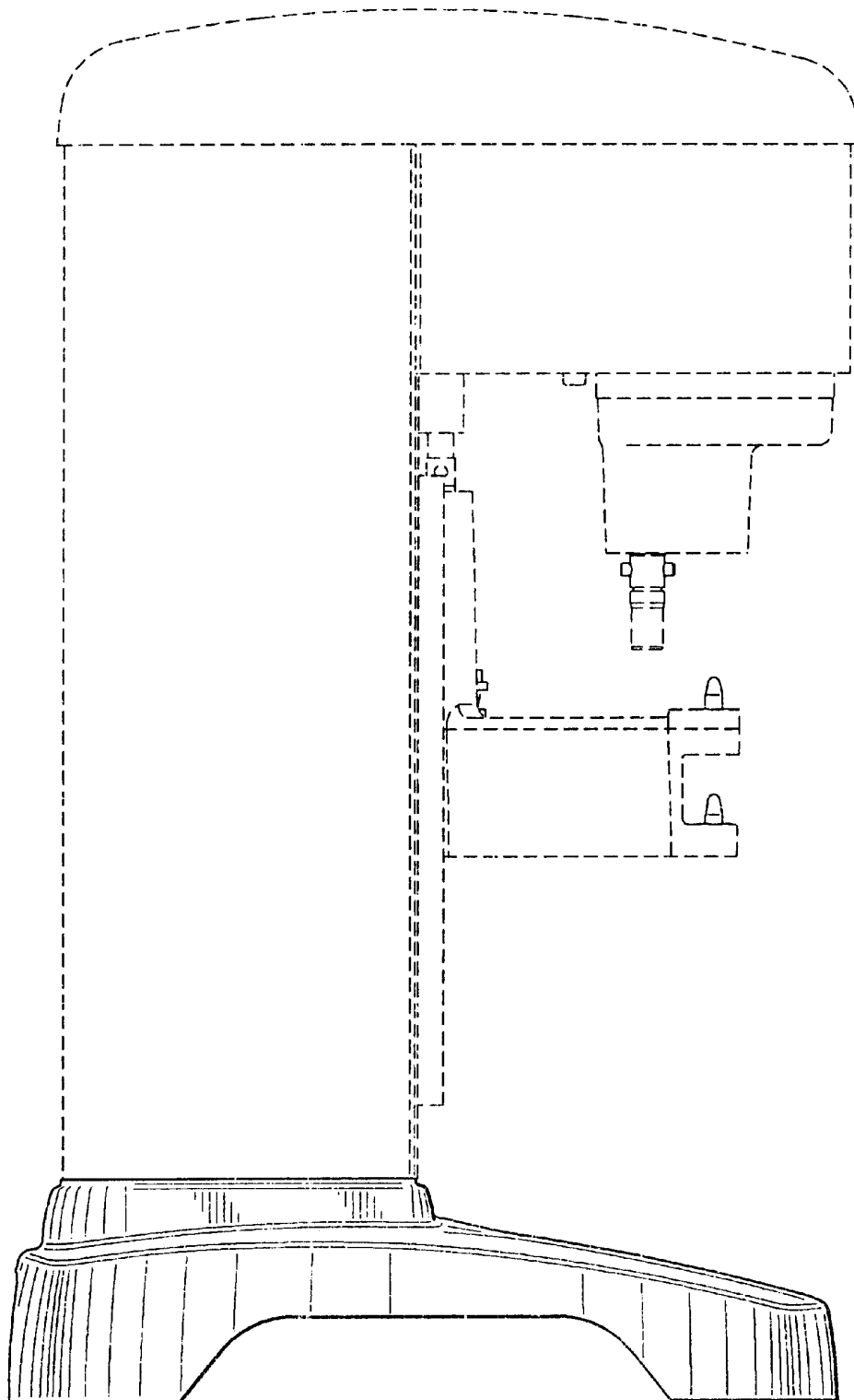


FIG. 5

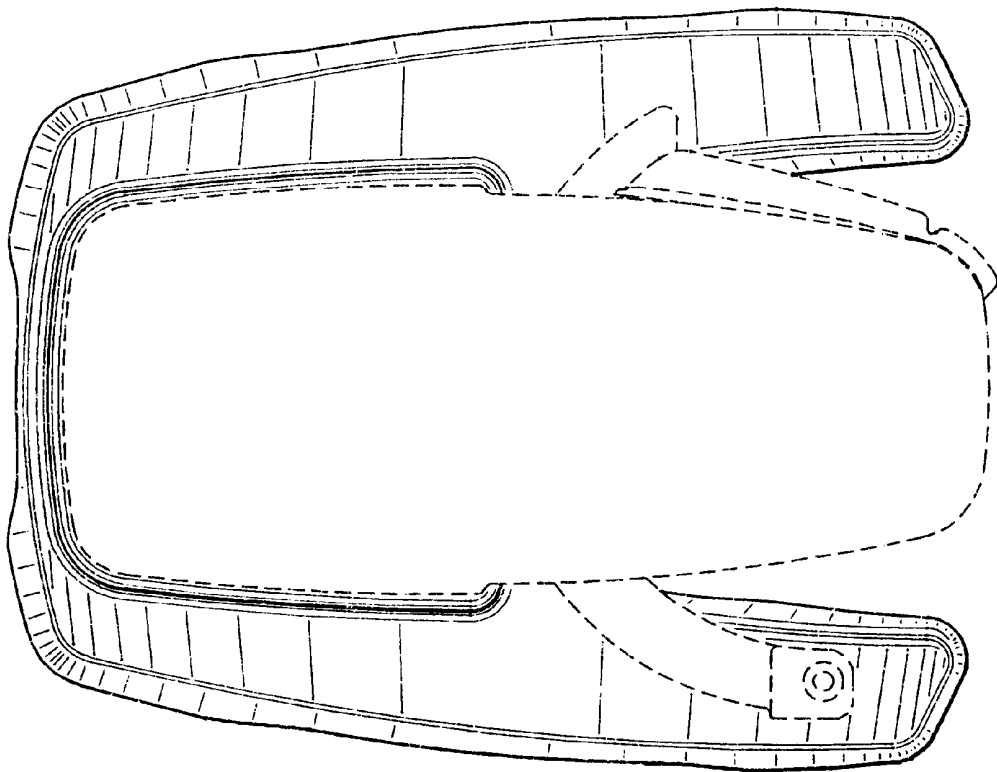


FIG. 6